

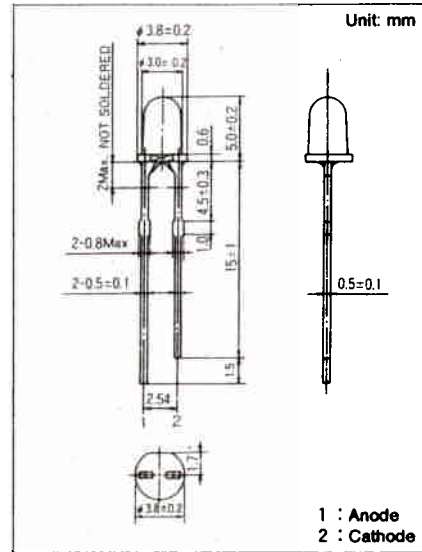
φ 3.0mm Series

| Type No. | Lighting Color |
|----------|----------------|
| LN28RPP | Red |
| LN28RCPP | Red |
| LN28WPP | Red |
| LN28CPP | Red |

絶対最大定格 Absolute Maximum Ratings (Ta=25 °C)

| Lighting Color | P ₀ (mW) | I _F (mA) | I _{FP} (mA)* | V _R (V) | T _{opr} (°C) | T _{stg} (°C) |
|----------------|---------------------|---------------------|-----------------------|--------------------|-----------------------|-----------------------|
| Red | 70 | 25 | 150 | 4 | -25~+85 | -30~+100 |

* I_{FP}の条件は、duty 10%, Pulse width 1 msec. The condition of I_{FP} is duty 10%, Pulse width 1 msec



電気的光学的特性 Electro-Optical Characteristics (Ta=25 °C)

| Type No. | Lighting Color | Lens Color | I ₀ | | | V _F | | λ _P | Δλ | I _F | I _R | |
|----------|----------------|----------------|----------------|------|----------------|----------------|------|----------------|-----|----------------|----------------|------|
| | | | Typ. | Min. | I _F | Typ. | Max. | | | | I _F | Max. |
| LN28RPP | Red | Red Diffused | 1.0 | 0.4 | 15 | 2.2 | 2.8 | 700 | 100 | 20 | 5 | 4 |
| LN28RCPP | Red | Red Clear | 3.0 | 1.3 | 15 | 2.2 | 2.8 | 700 | 100 | 20 | 5 | 4 |
| LN28WPP | Red | White Diffused | 1.0 | 0.4 | 15 | 2.2 | 2.8 | 700 | 100 | 20 | 5 | 4 |
| LN28CPP | Red | Clear | 3.0 | 1.3 | 15 | 2.2 | 2.8 | 700 | 100 | 20 | 5 | 4 |
| Unit | — | — | mcd | mcd | mA | V | V | nm | nm | mA | μA | V |

